

NOTES:

1.MATERIAL:

- 1.1 HOUSING: SEE TABLE
- 1.2 BASE: SEE TABLE
- 1.3 SPACER: SEE TABLE
- 1.4 CONTACTS: SEE TABLE
- 1.5 SHELL: SEE TABLE
- 1.6 MID PLATE: SEE TABLE

2.FINISH:

- 2.1 CONTACT: SEE P/N
- 2.2 SHELL: SEE TABLE

3.THE CONNECTOR IS RoHS COMPLIANT.

4.DATE CODE: XXXXXX



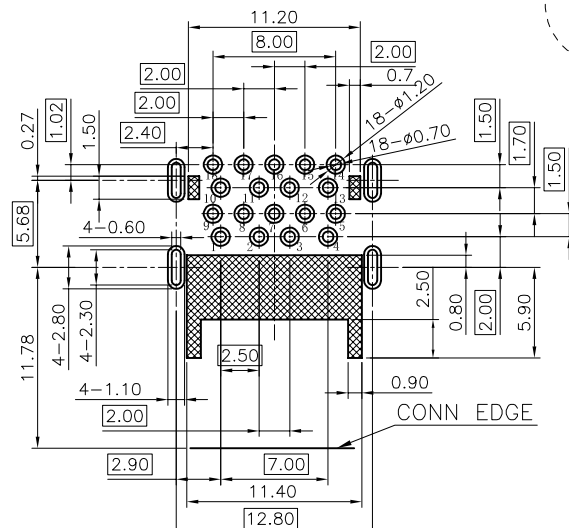
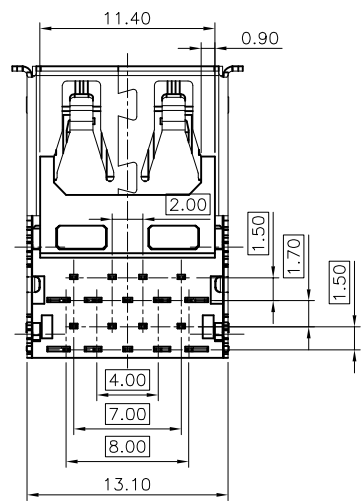
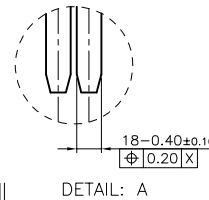
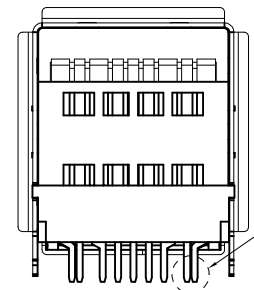
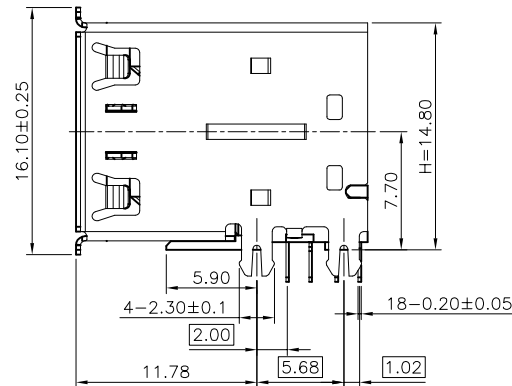
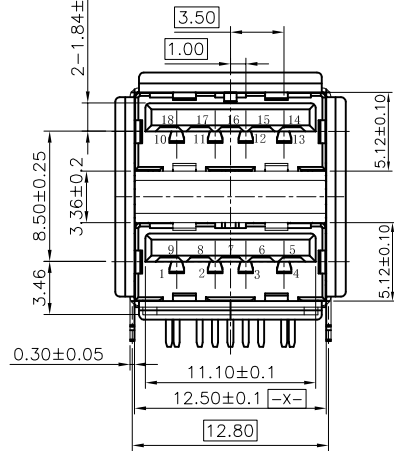
5.SPEC. PLS. REFER TO PS-31120-XXXX-XXX

6.PACKAGE PLS. REFER TO 30173-XXXX-XXX-PCK

7.P/N: 30173-018 X X-XXX



PACKING: 0: TAPE & REEL 2: GOLD FLASH ON CONTACT AREA



RECOMMENDED PCB LAYOUT (COMPONENT SIDE, TOLERANCE: ±0.05)

NO	DESCRIPTION	QTY	MATERIAL	PLATING & COLOR
F	MID PLATE	1	SUS201 T=0.30	NA
E	SHELL	1	SUS201 T=0.30	50u" MIN. NICKEL PLATED
D	CONTACT	18	COPPER ALLOY T=0.20	50u" MIN. NICKEL UNDERPLATED CONTACT AREA: SEE P/N SOLDER AREA: 80u" MIN. MATTE TIN PLATED
C	SPACER	1	HIGH TEMP. THERMOPLASTIC	UL 94V-0, COLOR: BLUE
B	BASE	1	HIGH TEMP. THERMOPLASTIC	UL 94V-0, COLOR: BLUE
A	HOUSING	1	HIGH TEMP. THERMOPLASTIC	UL 94V-0, COLOR: SEE P/N

<b>QUALITY SYMBOLS</b> MAJOR Ⓢ CRITICAL Ⓢ GENERAL TOLERANCES (UNLESS SPECIFIED) X. ±0.5 .X ±0.25 .XX ±0.15 .XXX ±0.1 ANGLES ±2°	DRAWN BY LIAO WAN TING CHECKED BY TENG CHANG HO APPROVED BY KUO JUNG HSUN	DATE '22/01/19 DATE '22/01/19 DATE '22/01/19	 <b>ACES ELECTRONICS</b> TITLE USB3.0 DUAL STACK A TYPE T/H R/A H=14.80
	UNITS mm SCALE X : X	 SHEET NO. 1 OF 1	